

VolanteStor - storage system

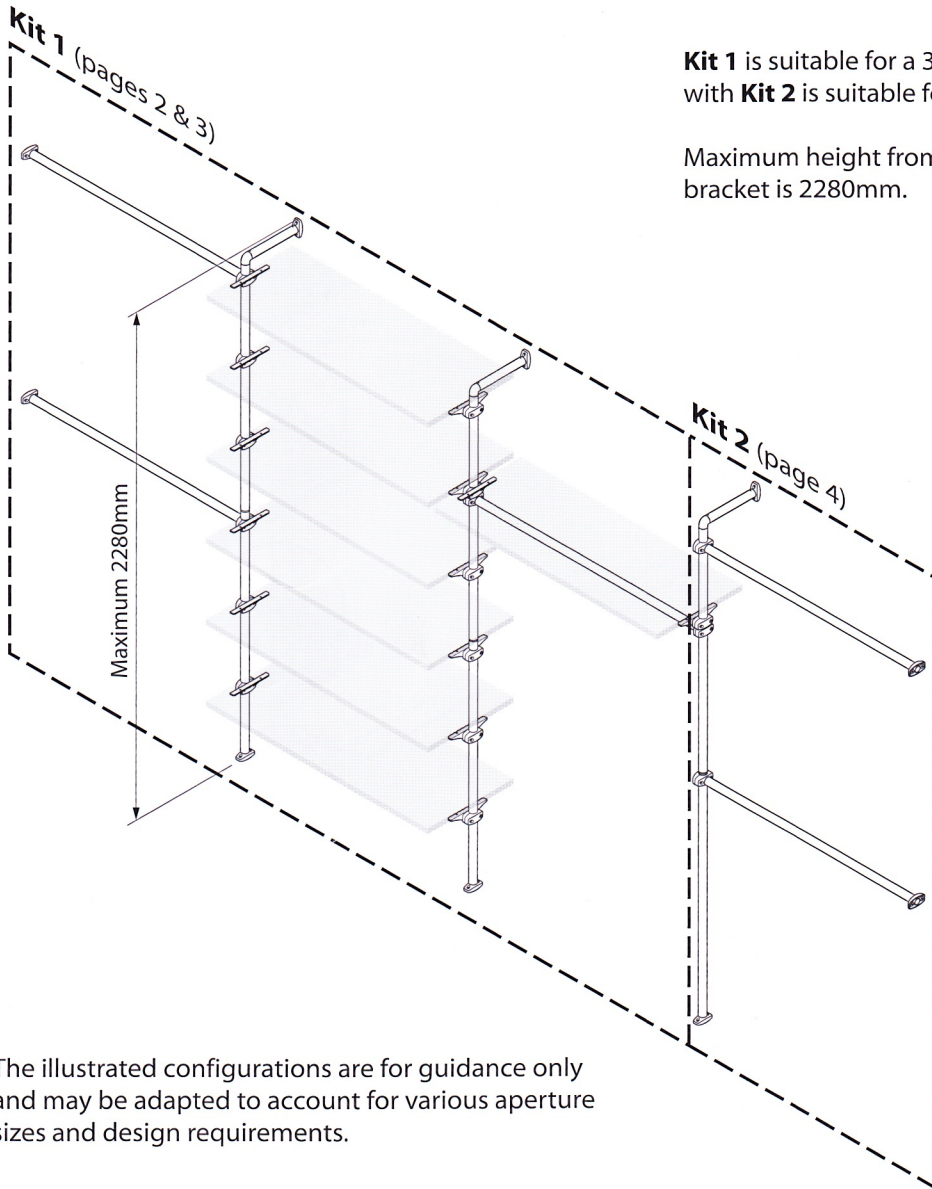
Installation guide



IMPORTANT: Do not overload the system, 300mm depth shelves have a maximum weight limit of 25kg and 500mm depth shelves a maximum weight limit of 15kg.

Note: Shelves are NOT included with the kits but are available separately.

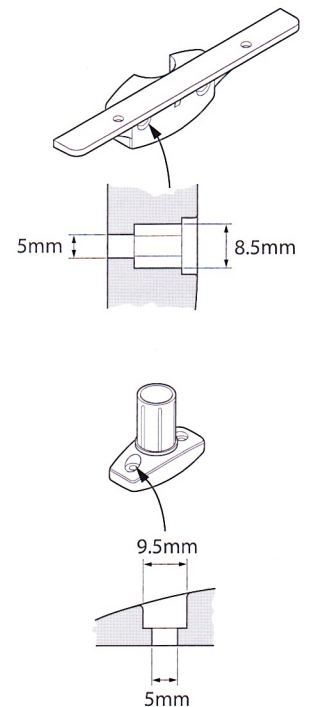
This installation guide covers the fitting of a 3 module unit (**Kit 1**, see pages 2 & 3) and an optional add on unit (**Kit 2**, see page 4).



Kit 1 is suitable for a 3 door run and when combined with **Kit 2** is suitable for a 4 door run.

Maximum height from base of foot to top of wall bracket is 2280mm.

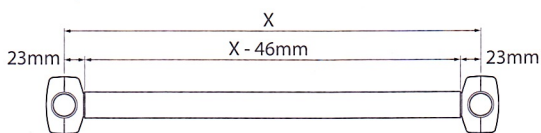
Brackets must be securely fixed to the floor and walls using suitable screws and plugs (not supplied).



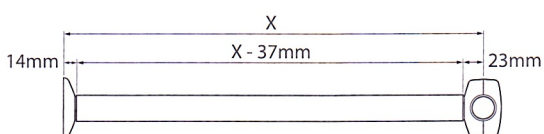
The illustrated configurations are for guidance only and may be adapted to account for various aperture sizes and design requirements.

To calculate the length of a hanging rail.

Pole to pole installation

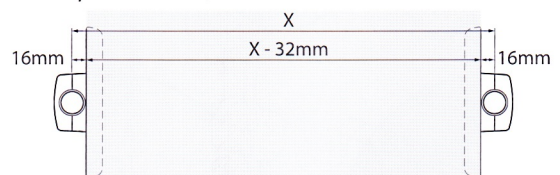


Wall to pole installation

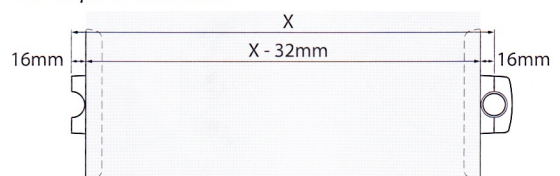


To calculate the length of a shelf.

Pole to pole installation



Wall to pole installation



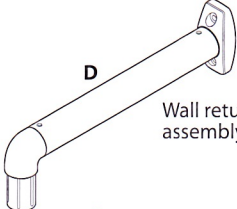
Kit 1 (suggested configuration)

Parts


A  x28 Shelf fixing screw

B  x26 Fixing bolt

C  x26 Fixing nut

D  Wall return assembly x2

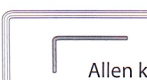
E  Pole connector x2


F  'C' bracket x10

G  Hanging rail bracket x3

H  Shelf support/wall bracket x14

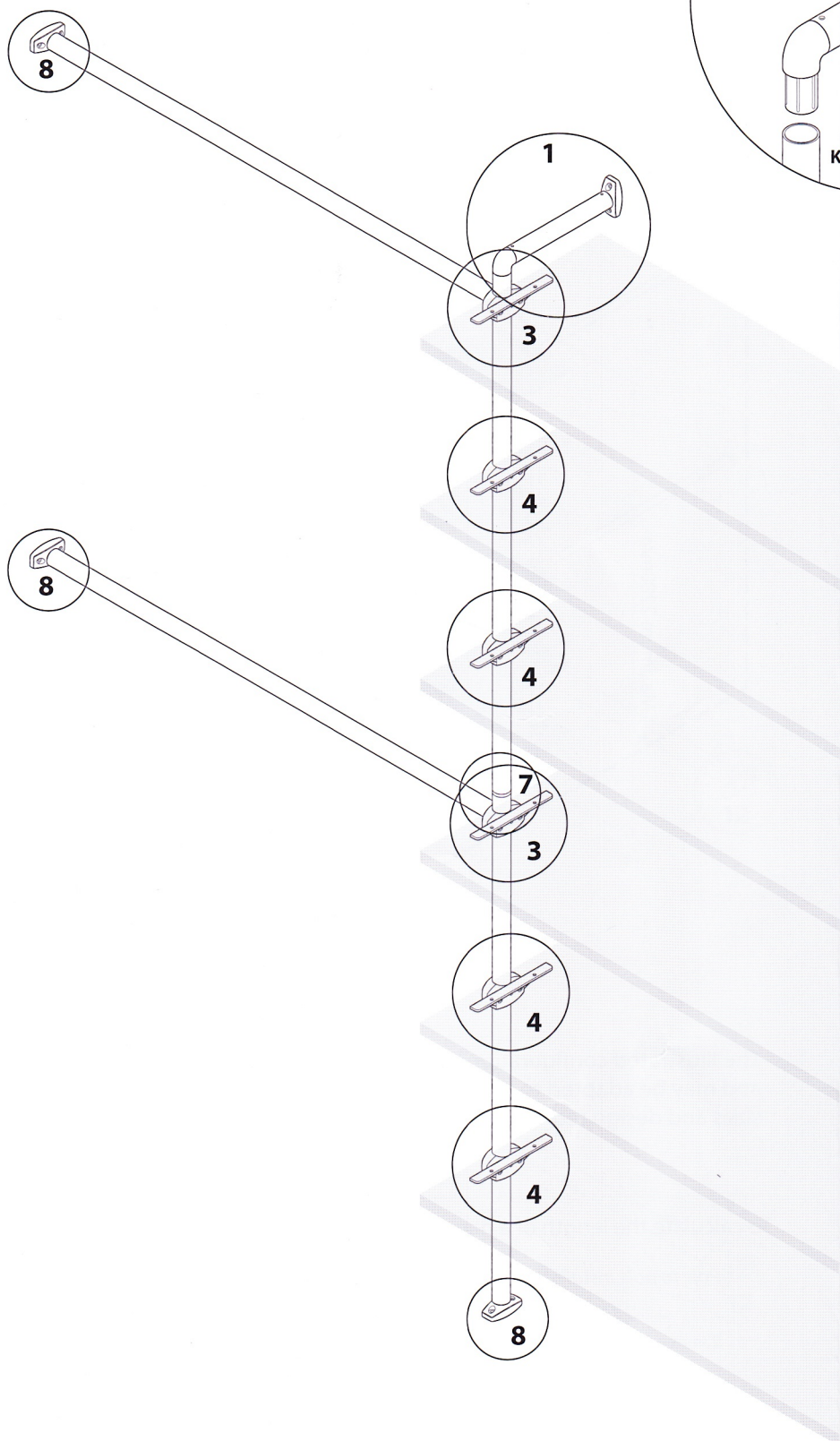
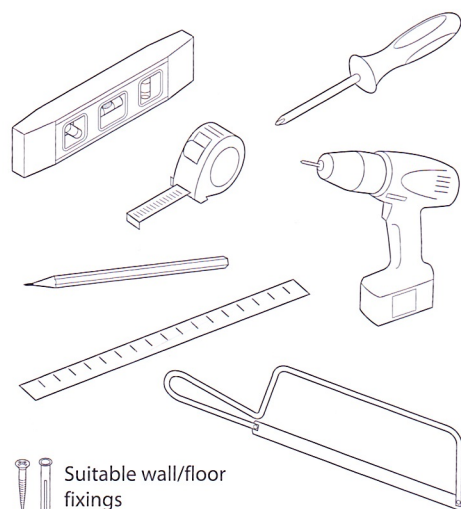
J  Floor/wall bracket x5

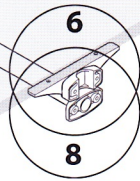
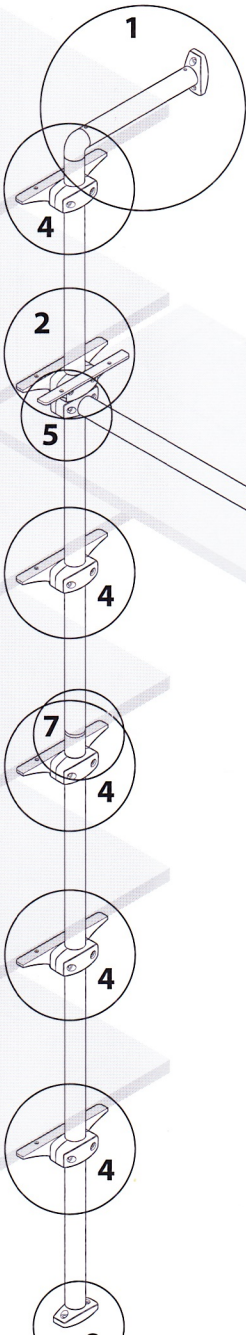
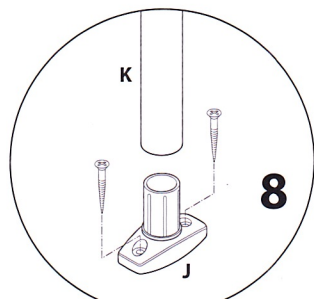
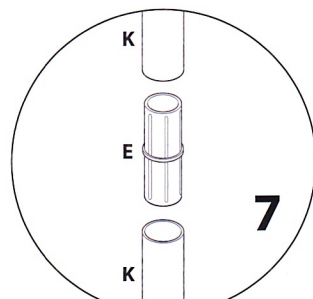
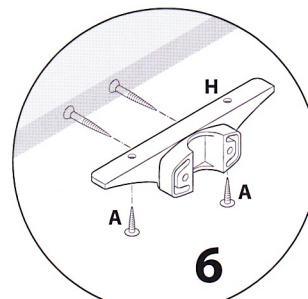
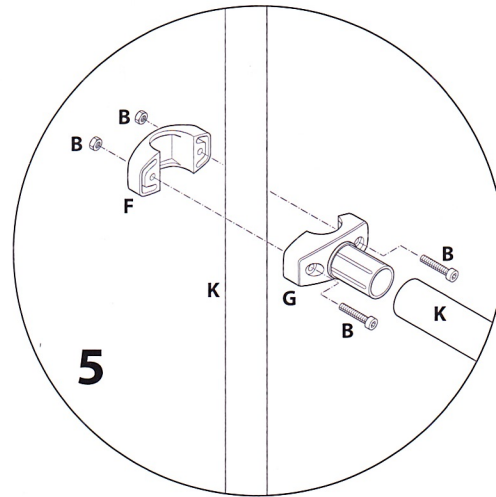
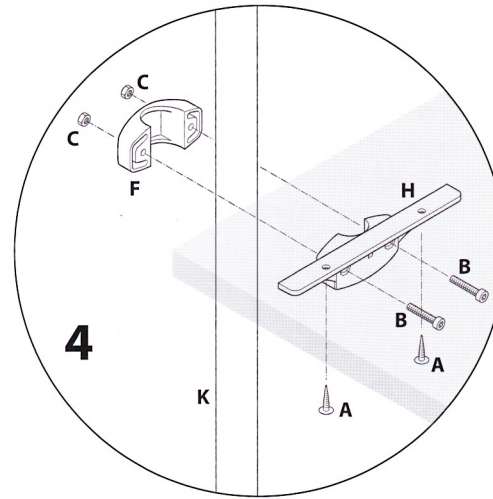
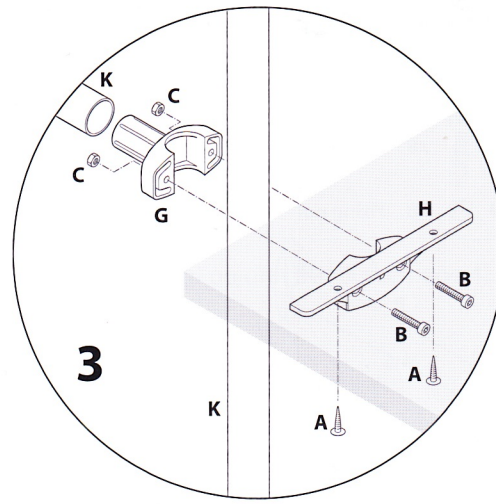
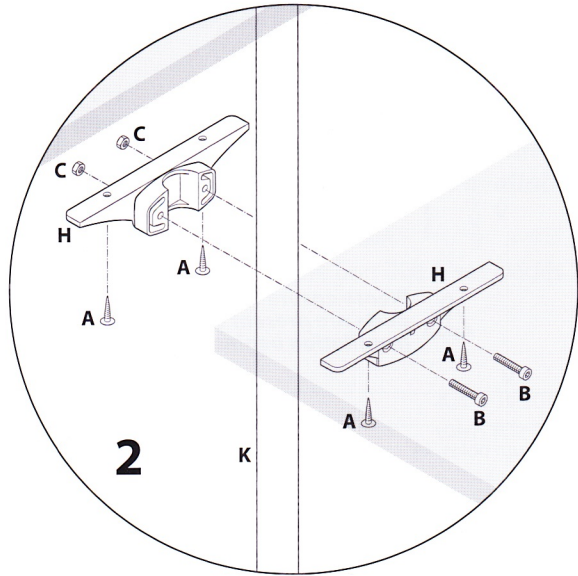
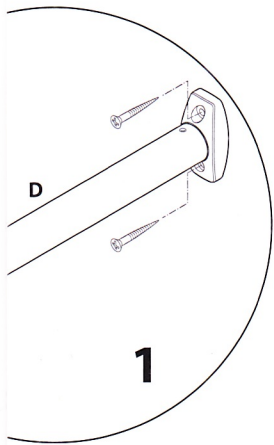
L  Allen keys

K  Aluminium poles x7

! Please ensure that all the parts are present before installation begins.

Tools and fixings required



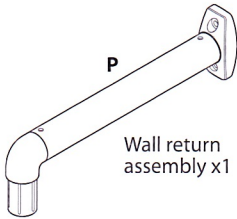


Kit 2 (suggested configuration)

Parts

M x8 Fixing bolt

N x8 Fixing nut



Q Pole connector x1

R 'C' bracket x4

S Hanging rail bracket x4

U Aluminium poles x4

T Floor/wall bracket x4

V Allen keys

! Please ensure that all the parts are present before installation begins.

Tools and fixings required

