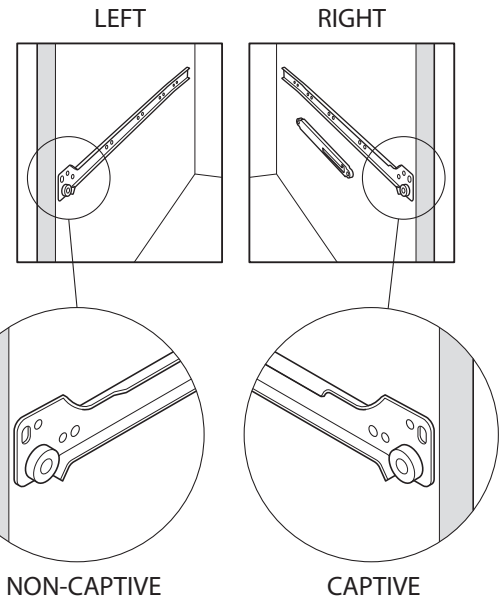
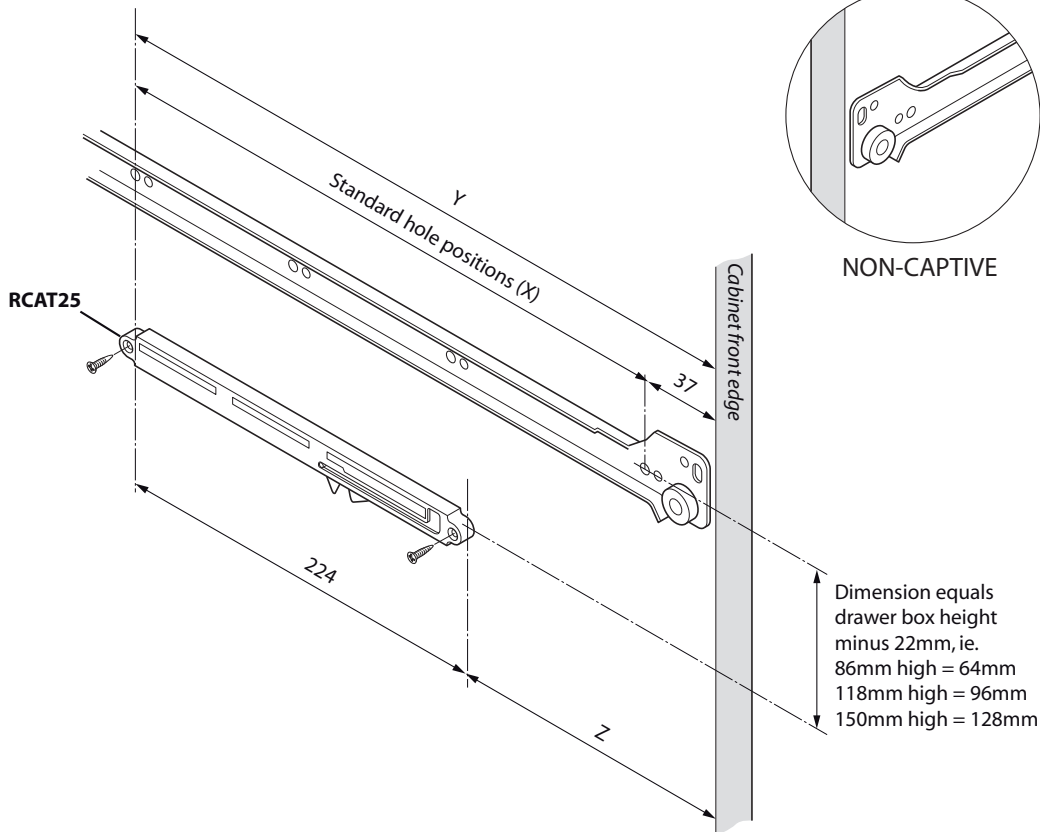


Soft Close System *Installation Guide for: Metal Sided Drawers (Metabox)*

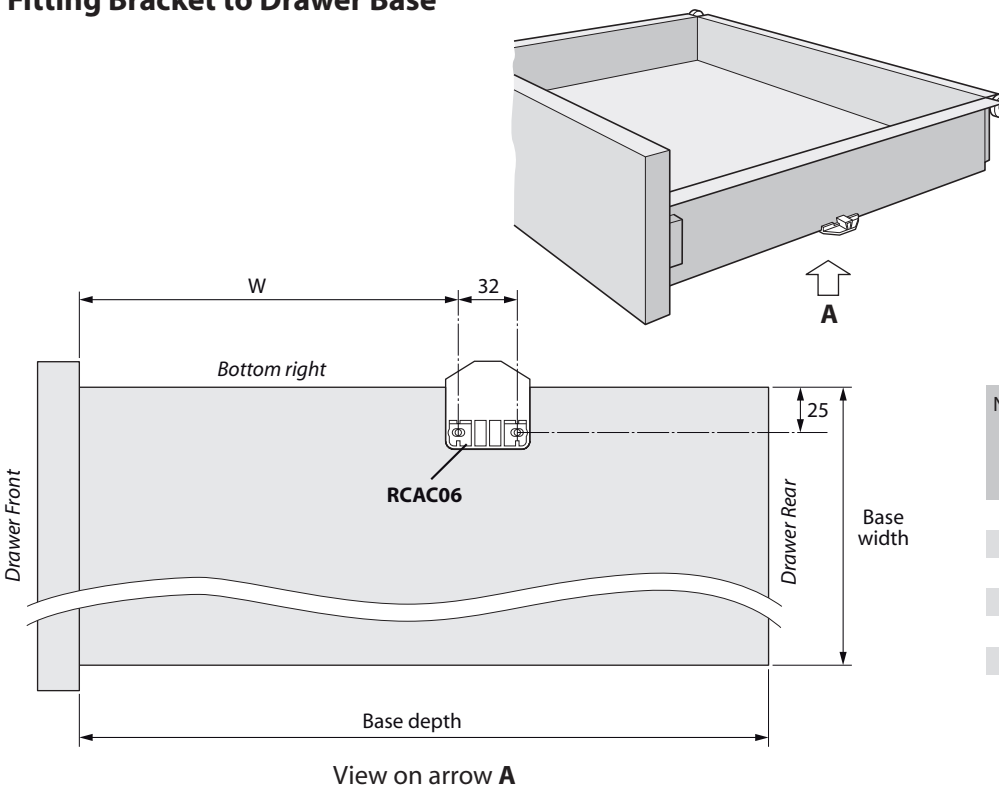
NOTE : Drawers 300 - 600 mm wide - single mechanism required.
 Drawers over 600mm wide - mechanism required on both sides.

IMPORTANT : Where a single mechanism is used, this must be fitted on the 'captive' runner side (for Blum Metabox this is the righthand side).

Fitting Mechanism to Carcase



Fitting Bracket to Drawer Base



Nominal length	Drill positions (cabinet)			Activator position (drawer)
	X	Y	Z	
NL	X	Y	Z	W
270	224	261	37	106
350	224	261	37	106
400	352	389	165	234
450	352	389	165	234
500	416	453	229	298
550	480	517	293	362

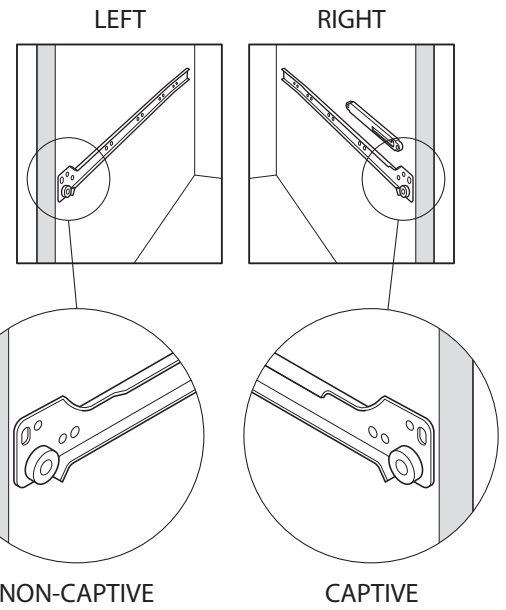
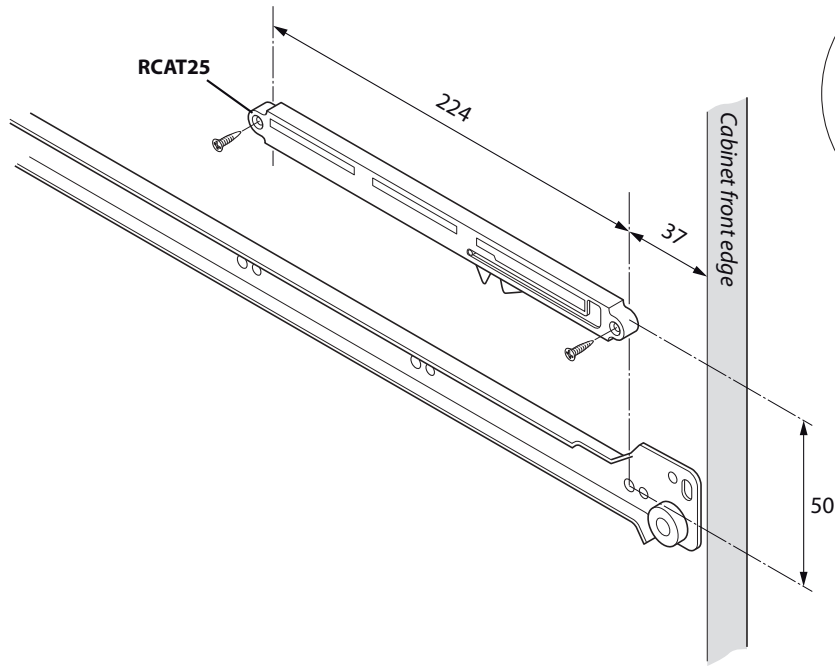
Load capacity 25kg. Tested at 40,000 cycles

Soft Close System *Installation Guide for: Wooden Drawers*

NOTE : Drawers 300 - 600 mm wide - single mechanism required.
Drawers over 600mm wide - mechanism required on both sides.

IMPORTANT : Where a single mechanism is used, this must be fitted on the 'captive' runner side (for Blum runners this is the righthand side).

Fitting Mechanism to Carcase



Fitting Bracket to Drawer Side

