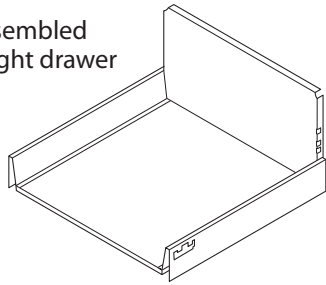
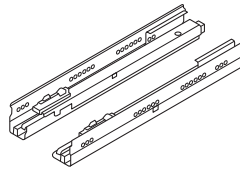


Pack Contents

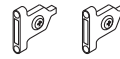
1x pre-assembled 'D' height drawer



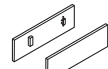
1x pair of carcass members (30Kg or 50Kg)



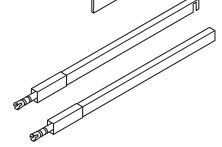
1x pair of universal front fixing brackets



1x pair of handed cover caps



1x pair of gallery rails



12x chipboard screws



⚠ Important Information

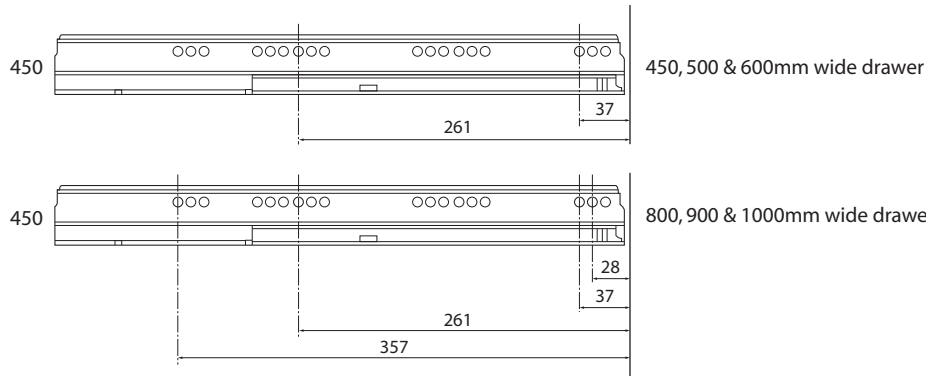
This pre-assembled drawer is designed for installation into a cabinet constructed from 18mm thick board!

- All illustrations & dimensions are based on cabinets constructed from 18mm board.
- Dimension of 31.5mm for the positioning of front fixing brackets is based on drawer fronts 4mm narrower than external width of cabinet e.g. 496mm; for drawer fronts 5mm narrower e.g. 495mm, please amend dimension to 31mm; for drawer fronts 3mm narrower e.g. 497mm, please amend dimension to 32mm.
- All dimensions are in millimetres.

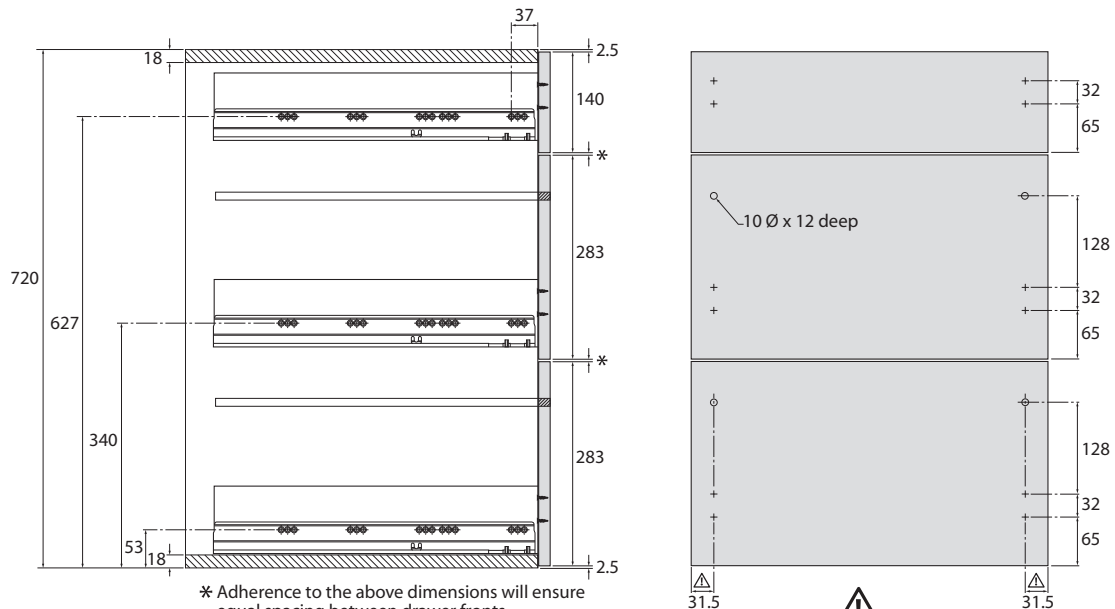
Cabinet Profile Fixing Positions

'D' height 450, 500 & 600mm wide drawers are supplied with 30Kg capacity cabinet profiles.

'D' height 800, 900 & 1000mm wide drawers are supplied with 50Kg capacity cabinet profiles.



3 Drawer Drilling Positions – 1x 140mm + 2x 283mm high drawer fronts



* Adherence to the above dimensions will ensure equal spacing between drawer fronts.

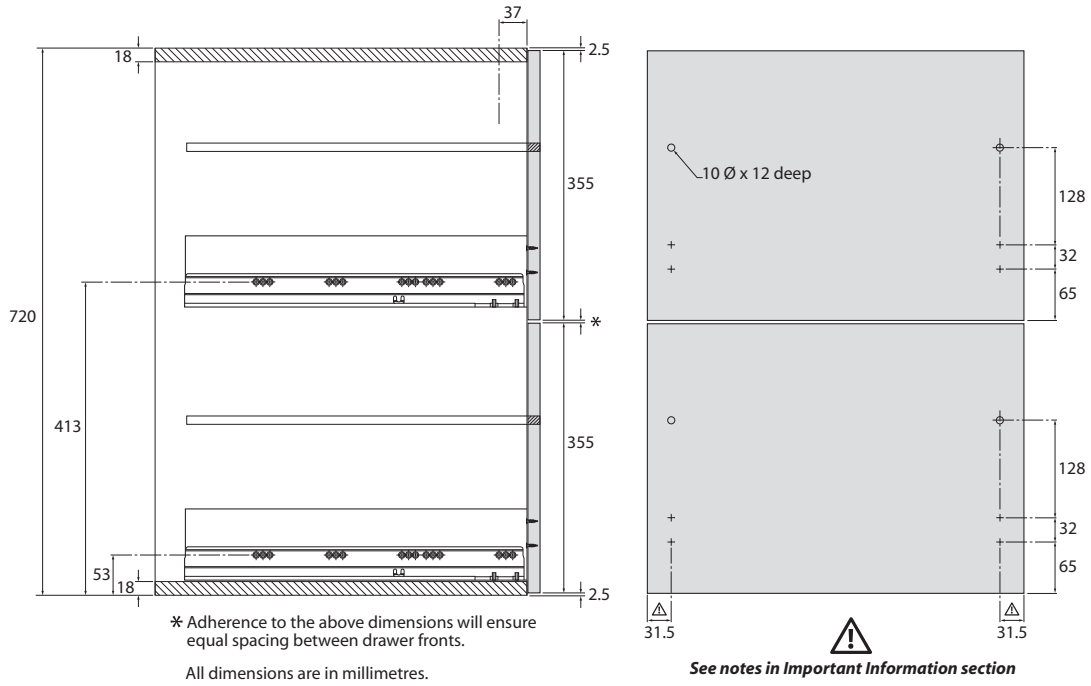
All dimensions are in millimetres.

31.5

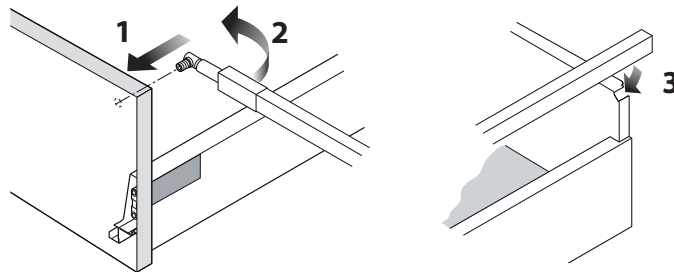
31.5

See notes in Important Information section

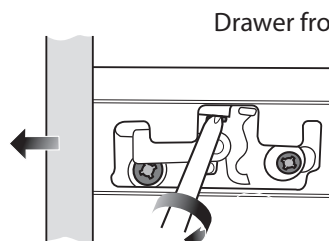
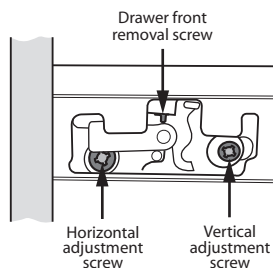
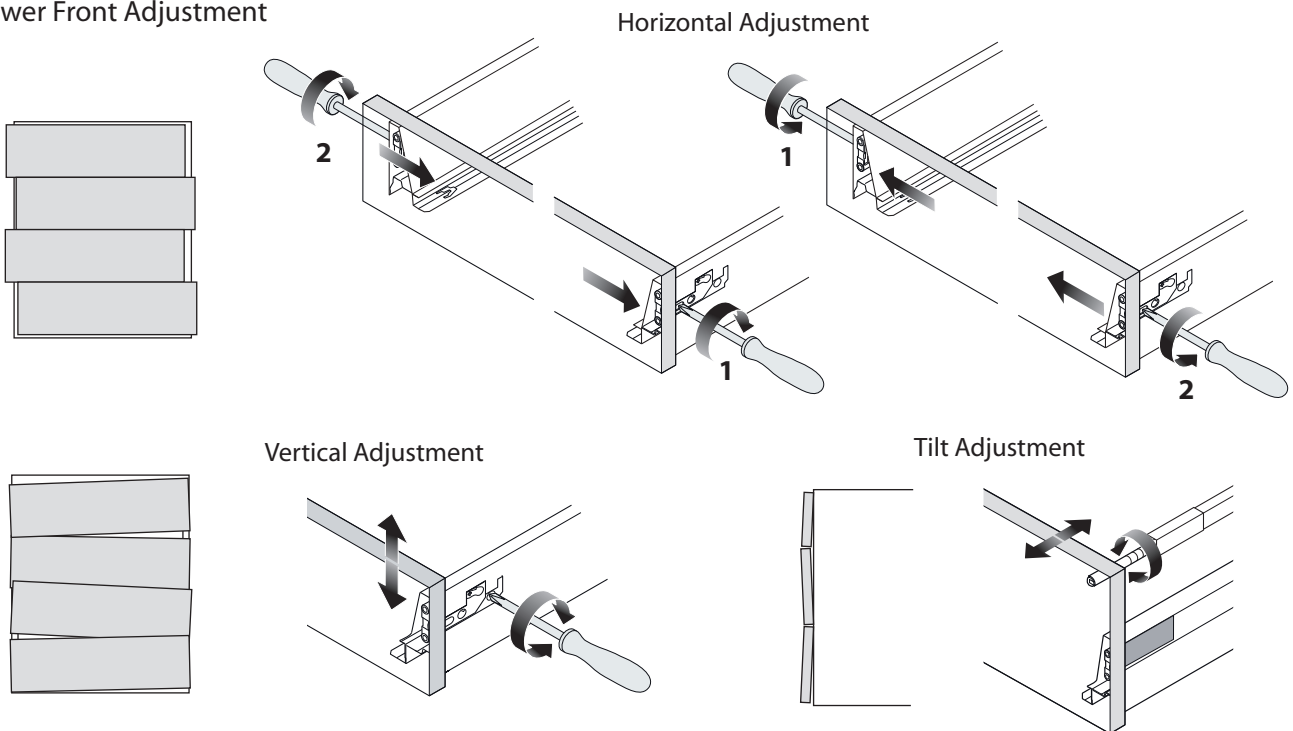
Drilling Positions – 355mm high drawer fronts



Fitting Gallery Rails



Drawer Front Adjustment



To see a video of how to remove the drawer front go to –
<http://www.blum.com/gb/en/02/50/index.php>
 - then click on the film entitled:
 'TANDEMBOX drawer front removal'