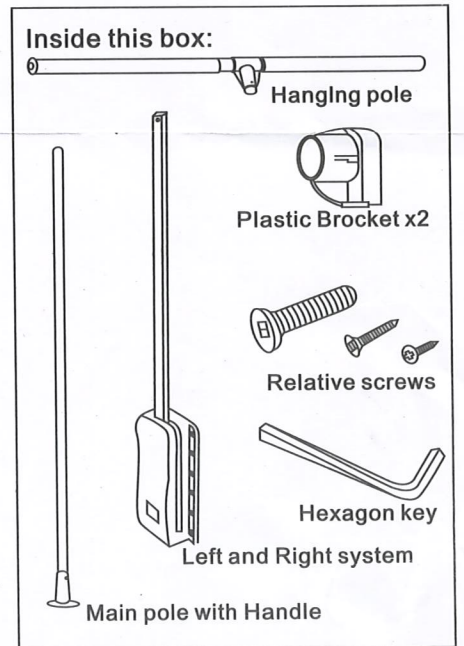
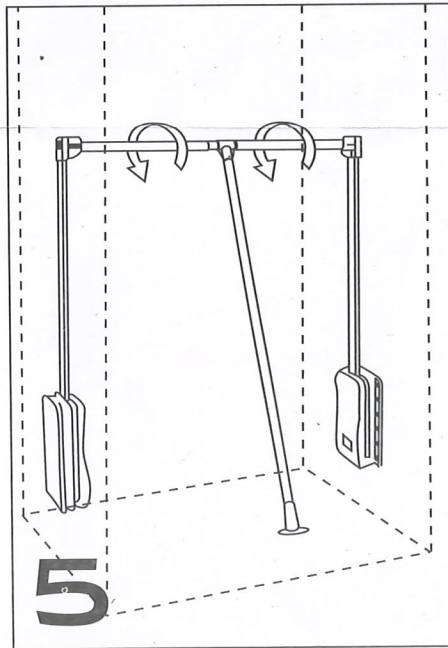
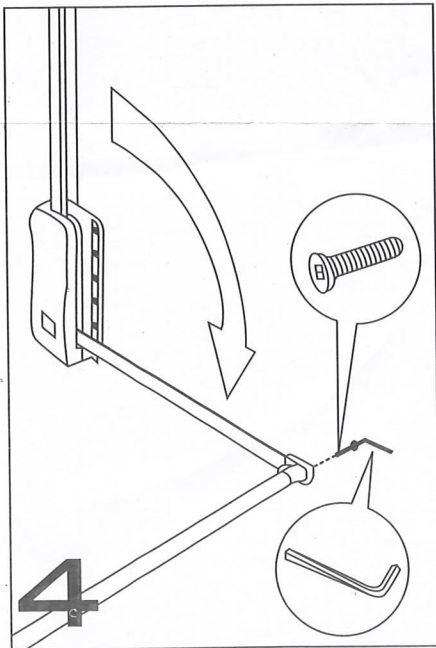
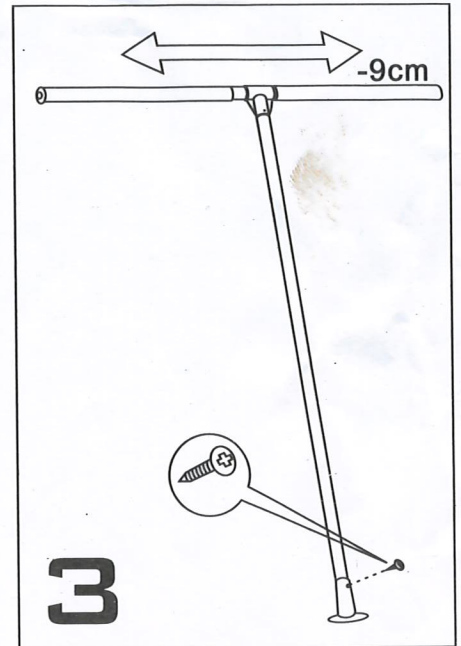
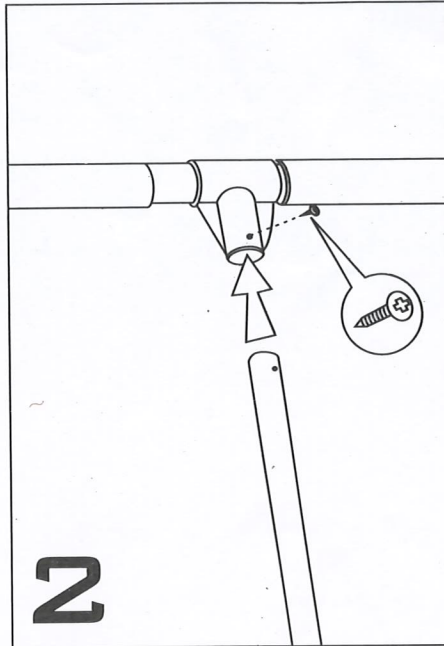
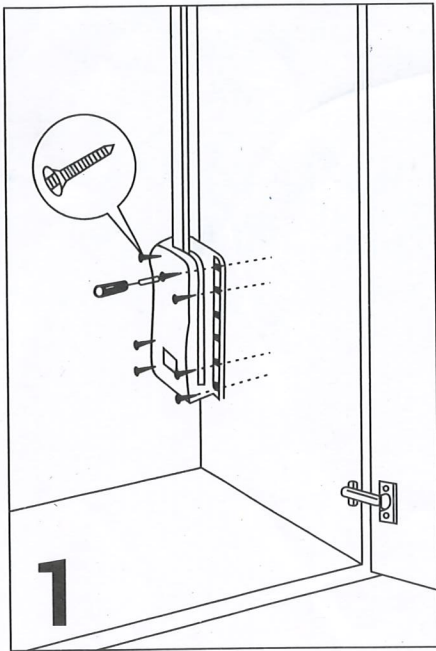


Wardrobe Lifter

Instruction Sheet



1. Fix both Left and Right system by at least 8 pcs. fixing screw on each system, for better result, please fix 12 pcs, screws on each system.
2. Assemble the main pole to the hanging pole by using the M3 screw.
3. Fix the handle to the main pole by using the M3 screw, and adjust the length of the hanging pole 9 cm less than the inside width of the wardrobe.
4. Pull down the arm of the system and place the plastic bracket on both side. Insert the hanging pole to the bracket and fix it together by using the hexagon screw.
5. Adjust the hanging pole to the suitable length and twist it in clockwise to fasten it tight.